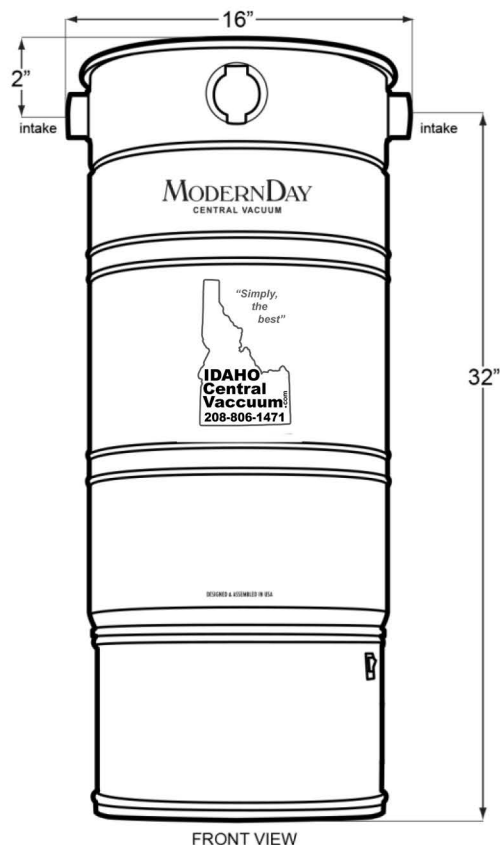
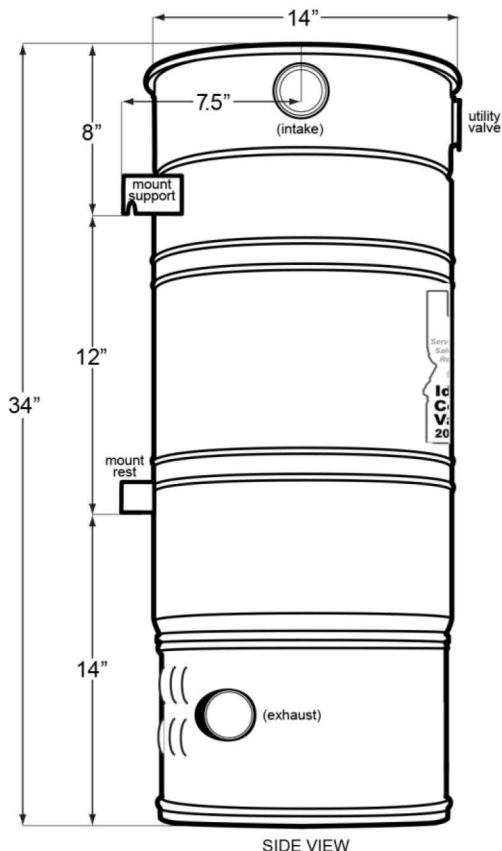


Idaho Central Vacuum MODERN DAY[®] MD

MANUFACTURED BY
CENTRAL VACUUMS

SPECIFICATIONS FOR MODEL
M715h
#F1185LD 120 VOLT



PERFORMANCE

Sealed Vacuum 150"
CFM 136.1
Air Watts 718
Volts 120
Amperage 14.9
Quietness 76dBA
Coverage 8,000 ft²

*Recommended home size can be higher or lower when considering these factors: altitude, hours of use, complexity of pipe installation, distance of furthest inlet, noise level, type and size of filtration, and budget.

FEATURES

Motor: Single 2-stage 8.4" by-pass horned motor producing high CFM & waterlift.
Filtration: Tru-Seal™ Microfiltration disposable 8-gallon bag, closed top.
Intakes: Right & left intakes. Utility valve.
Construction: Durable powder-coated all steel body.
Overload: Heat protection resettable minibreaker.
Warranty: 10 Year Transferable + Lifetime.
Dims/Weight: 14" Diameter, 34" Tall, 33 lbs.
Accessories: All MD accessories and kits are compatible and are sold separately.
Optional: Air Relief Valve, Muffler.

INSTALLATION

Electrical:
120V - 50/60HZ, 20 amp circuit.
Separate circuit recommended.
6' Cord with standard plug fits NEMA 5-20R receptacle.
Mounting:
Two-stud 17" wide bracket. Easy to hang and remove. Left/right variable positioning. Mount 6" off ground. Leave 24" above unit.
Venting:
Exterior venting not necessary.
30ft maximum line if venting.

PROJECT		LOCATION	
DEALER		DATE / PRICE	



Designed & Assembled in USA

www.idahocentralvacuum.com/modernday
sales@idahocentralvacuum.com

Idaho Central Vacuum
Central Systems
208-208-1471